



The Quality Profile



SOFTLINE SS70

|              |                                      |
|--------------|--------------------------------------|
| Type         | Sliding Door                         |
| System Depth | 70 mm                                |
| U-Value      | $U_f=2.2 \text{ W/m}^2\cdot\text{K}$ |

# SOFTLINE SS70

**VEKA SOFTLINE SS70 sliding door provides solutions for medium sized sliding doors with a sash height of 2.2m.**

Based on the 70mm system depth, all kind of combination windows can be done seamlessly by using the VEKA AD70 system for white but also for Acryl-Color CoEx window. Additional Clip-on profiles provide a variety of fly-net applications.

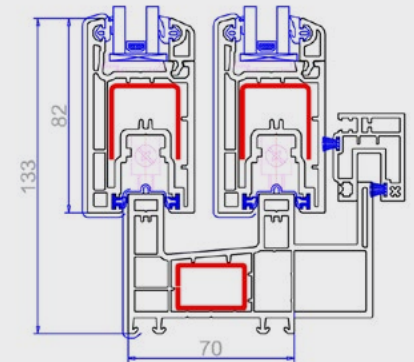
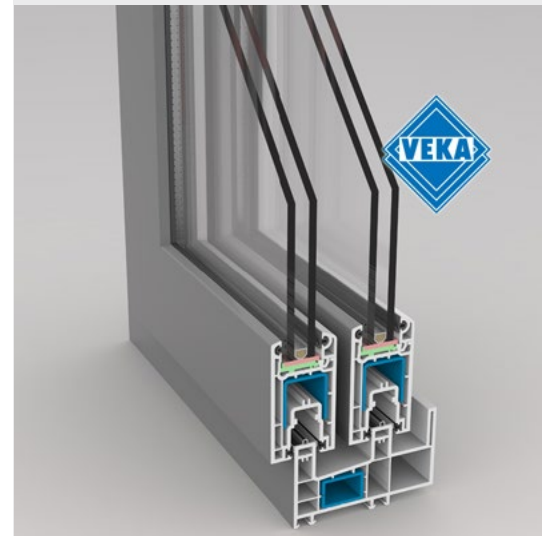
- ◆ System  $U_f 2.2 \text{ W/m}^2\cdot\text{K}$  (including steel reinforcements)
- ◆ System depth 70mm – 3 Chambers
- ◆ Glazing width range from 4mm to 24mm
- ◆ Available in profile wall thickness “Class A”

### U-Values by Glass configuration

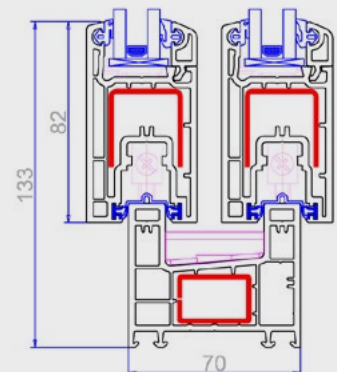
| U-Value Std window              | Glass Thickness | Glass Configuration | Glass U-Value                    |
|---------------------------------|-----------------|---------------------|----------------------------------|
| 2.0 $\text{W/m}^2\cdot\text{K}$ | 22/24 mm        | 5ssLow-E+12/14Ar+5  | 1.50 $\text{W/m}^2\cdot\text{K}$ |
| 2.2 $\text{W/m}^2\cdot\text{K}$ | 22/24 mm        | 5ssLow-E+12/14A+5   | 1.75 $\text{W/m}^2\cdot\text{K}$ |
| 2.3 $\text{W/m}^2\cdot\text{K}$ | 19 mm           | 5ssLow-E+9A+5       | 2.0 $\text{W/m}^2\cdot\text{K}$  |
| 2.7 $\text{W/m}^2\cdot\text{K}$ | 22/24 mm        | 5+12/14Ar+5         | 2.5 $\text{W/m}^2\cdot\text{K}$  |

### Color options

|                    |   |   |   |   |   |   |
|--------------------|---|---|---|---|---|---|
| Standard White     |  | White   |   |   |   |   |
| Acryl-Color COEX   |  |  |  |   |   |   |
|                    | dark brown  | light grey  | dark grey   |   |   |   |
|                    | Laminated   |  |  |  |  |  |
| moss green         |   | dark oak  | golden oak  | mahogany  | dark grey   |   |
| Full color profile |   |  |  |   |   |   |
|                    |   | brown   | caramel   |   |   |   |



↑ Door Acryl-Color COEX



↑ Door standard



## Yantai Taiwan Village

Owners of the Yantai Taiwan Village place utmost importance on having large balconies facing the ocean. Windows installed in these apartment buildings had to deliver good air tightness and water tightness performance. The developer especially chose VEKA SOFTLINE SS70 sliding doors for the good sealing performance. The project received high praise after the handover to the owners.

|                            |                         |
|----------------------------|-------------------------|
| <b>Product</b>             | SOFTLINE SS70           |
| <b>U<sub>f</sub></b>       | 2.2 W/m <sup>2</sup> ·K |
| <b>Glass Configuration</b> | 5ssLow-E + 9A + 5       |
| <b>U-Value</b>             | 2.3 W/m <sup>2</sup> ·K |

