



The Quality Profile



MATRIX MD65

Type	Casement
System Depth	Win 65 mm/Door 70 mm
U-Value	$U_f=1.4 \text{ W/m}^2\cdot\text{K}$

MATRIX MD65

VEKA MATRIX MD65 casement system was, as the whole MATRIX product line, developed with large projects in mind.







The optimized 5-chamber window and door system meets all technical specifications of large high-rise projects with a 3-Level center seal gasket solution, but can also match budget constraints. Following the VEKA window system philosophy of quality and functionality, VEKA decided, that technical requirements and secure functionality for casement doors only can be archived with a 70mm system, if 5-chamber-profiles are required. The MATRIX MD65 system has been designed for an easy fabrication process targeting $U_w 1.8-2.5 \text{ W/m}^2\cdot\text{K}$ and the need for 3-Level gasket solution.

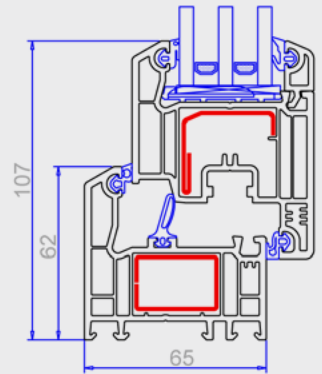
- System $U_f 1.4 \text{ W/m}^2\cdot\text{K}$ (including steel reinforcements)
- System depth 65 / 70mm – 5 Chambers
- Glazing width range from 9mm – 39mm
- 3-Level center seal gasket system
- Available in profile wall thickness “Class A” and “Class B”

U-Values by Glass configuration

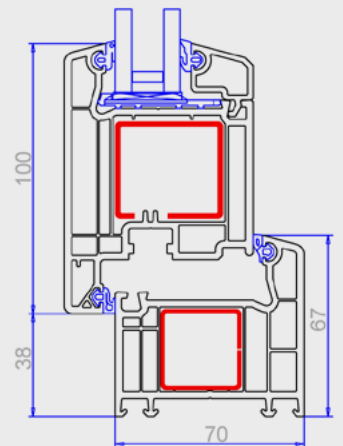
U-Value	Glass Thickness	Glass Configuration	Glass U-Value
1.6 $\text{W/m}^2\cdot\text{K}$	22/24 mm	5dsLow-E+12/14Ar+5	1.40 $\text{W/m}^2\cdot\text{K}$
1.8 $\text{W/m}^2\cdot\text{K}$	22/24 mm	5ssLow-E+12/14Ar+5	1.50 $\text{W/m}^2\cdot\text{K}$
2.0 $\text{W/m}^2\cdot\text{K}$	22/24 mm	5ssLow-E+12/14A+5	1.75 $\text{W/m}^2\cdot\text{K}$
2.0 $\text{W/m}^2\cdot\text{K}$	33 mm	5+9A+5+9A+5	1.87 $\text{W/m}^2\cdot\text{K}$
2.5 $\text{W/m}^2\cdot\text{K}$	22/24 mm	5+12/14Ar+5	2.5 $\text{W/m}^2\cdot\text{K}$

Color options

Standard White		White
Laminated	    	moss green dark oak golden oak mahogany dark grey



↑ Window standard



↑ Door standard



Qinhuangdao - Bohai Pearl Project

For this project in the coastal city of Qinhuangdao, the challenge was to meet the developer's budget constraints and, at the same time, provide a window system that performs well in the windy climate. The developer selected VEKA MATRIX MD65 as the most cost-effective solution. Budget was met and the windows are performing perfectly including good sound insulation.

Product	MATRIX MD65
U_f	1.4 W/m ² ·K
Glass Configuration	5ssLow-E + 12Ar + 5
U-Value	1.8 W/m ² ·K

